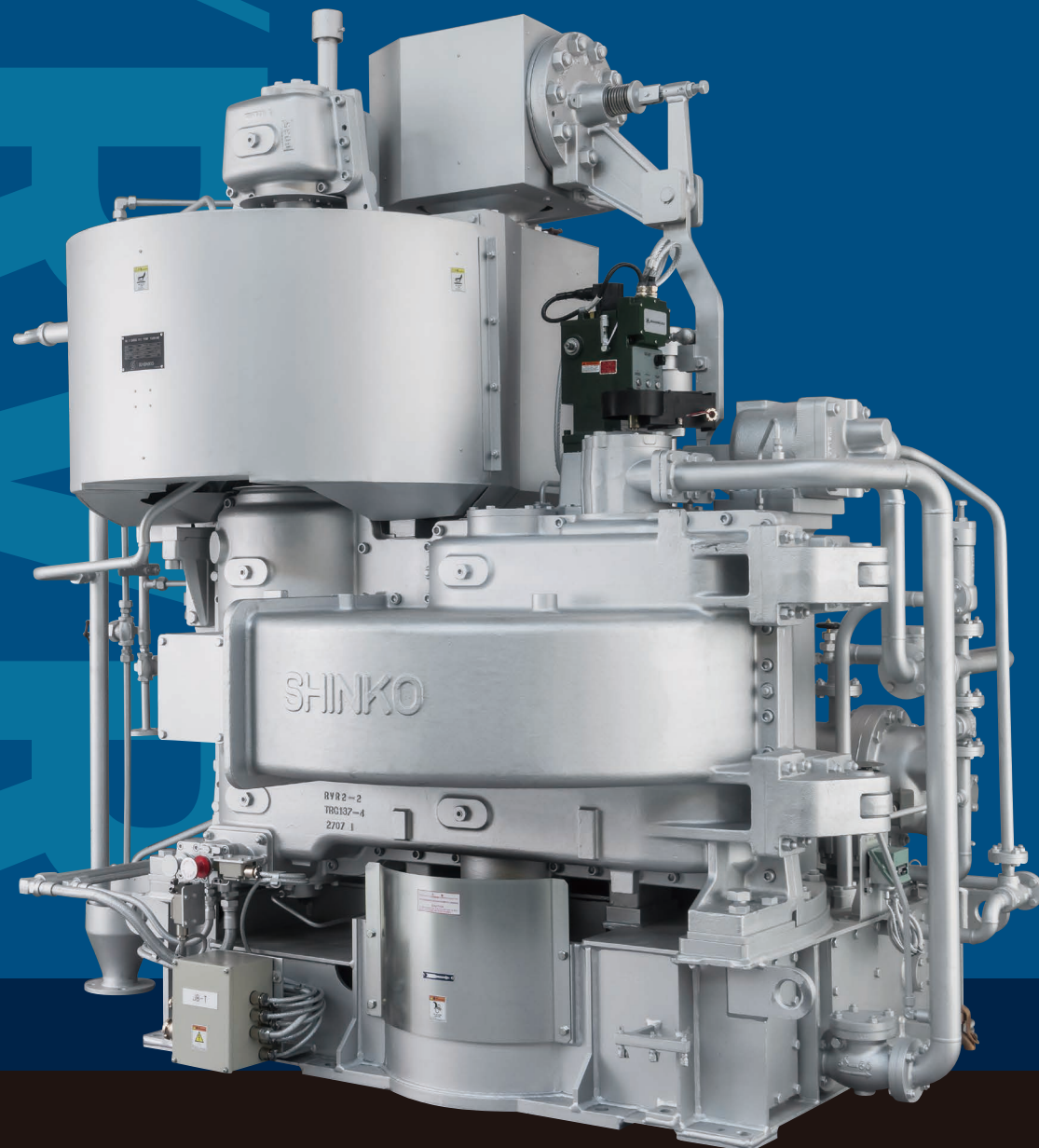


RX

Shinko has manufactured many numbers of R type steam turbines since the development of our first cargo oil pump turbines and ballast pump turbines for oil tankers in 1960.

To this date, we have constantly focused on improving product quality, operation performance, and many other aspects.



RX & RVR STEAM TURBINES

GENERAL CHARACTERISTICS

- 1 Improving the efficiency of cargo oil pump turbines
- 2 Reducing fuel consumption

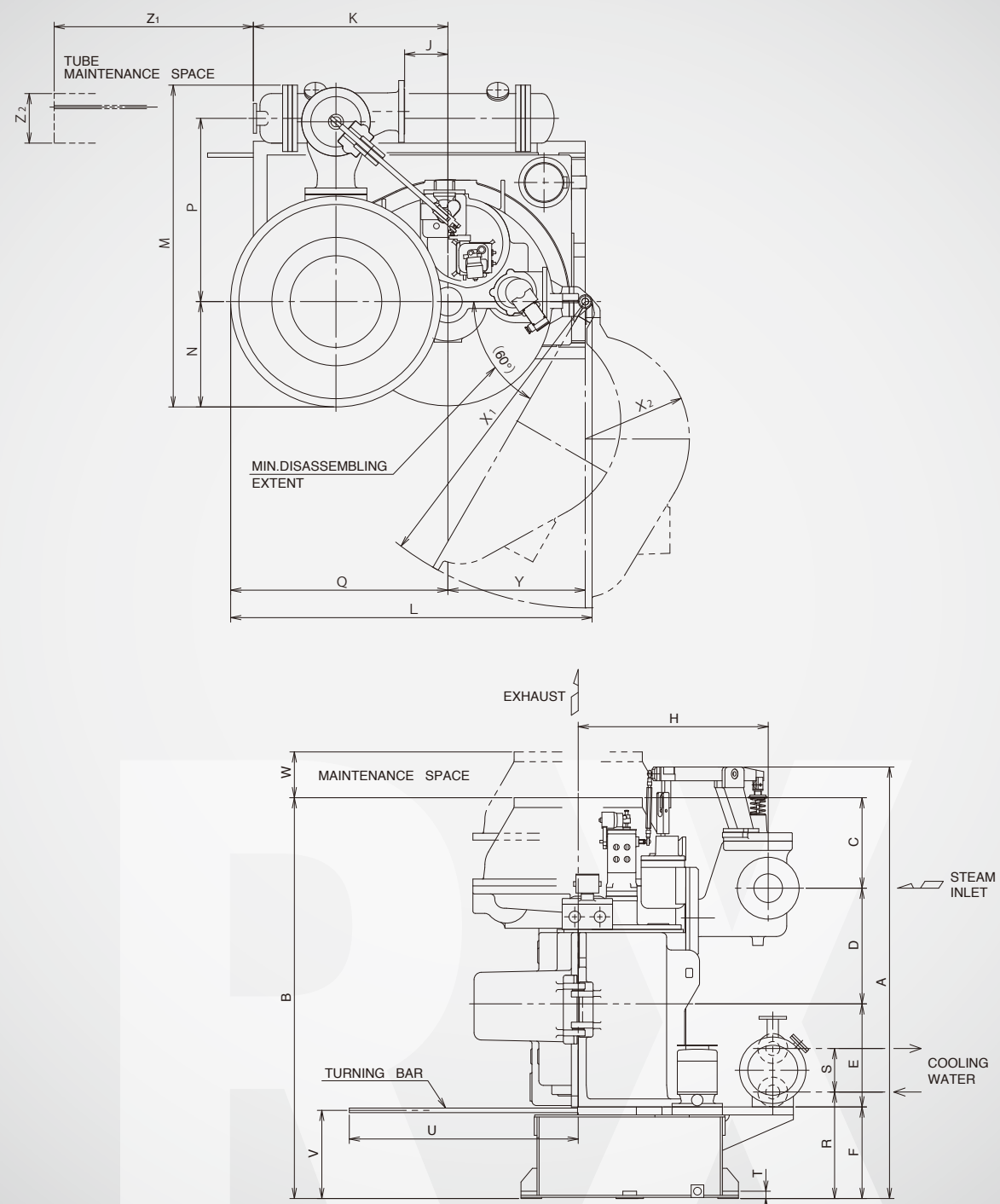


SPECIFICATION

The vertical R models are Curtis single-stage or Rateau 3-stage steam turbines with a single reduction gear. We have the following 5 standard models classified by maximum output:

Item	Model	RX 0	RX 1	RX 2-2	RVR 1	RVR 2-2
Type		Curtis single-stage			Rateau 3-stage	
Max. output	(kW)	600	1300	1850	2000	4000
Max. speed (turbine shaft)	(min ⁻¹)	8500	7200	7200	7200	7200
Max. reduction gear ratio		6.45	6.65	6.06	6.11	7.17
Inlet steam pressure	(MPaG)	1.85				
Inlet steam temperature	(°C)	280				
Exhaust steam		-80kPa ~ 0.03MPaG				
Rotation of output shaft		Counter-Clockwise facing toward pump				
Steam inlet bore	(mm)	100	125	150	150	150
Steam exhaust bore	(mm)	300	400	500	500	600
Lubrication system		Forced lubrication (turbine oil ISO VG68)				
Main LO pump	(m ³ /h × MPaG)	5 × 0.1	8 × 0.1			
Prim. LO pump	(m ³ /h × MPaG)	7.2 × 0.04				
LO tank	(ℓ)	190	270	280	280	320
LO cooler (S.W.)	(m ²)	3	4.8	5	5.7	7.3
Cooling water required (S.W.)	(m ³ /h)	8	15	15	15	20
Speed regulating governor		Woodward UG25+				
Range of speed change		Rated × 100 ~ 50%				
Weight	(kg)	2300	3500	4500	5500	6800

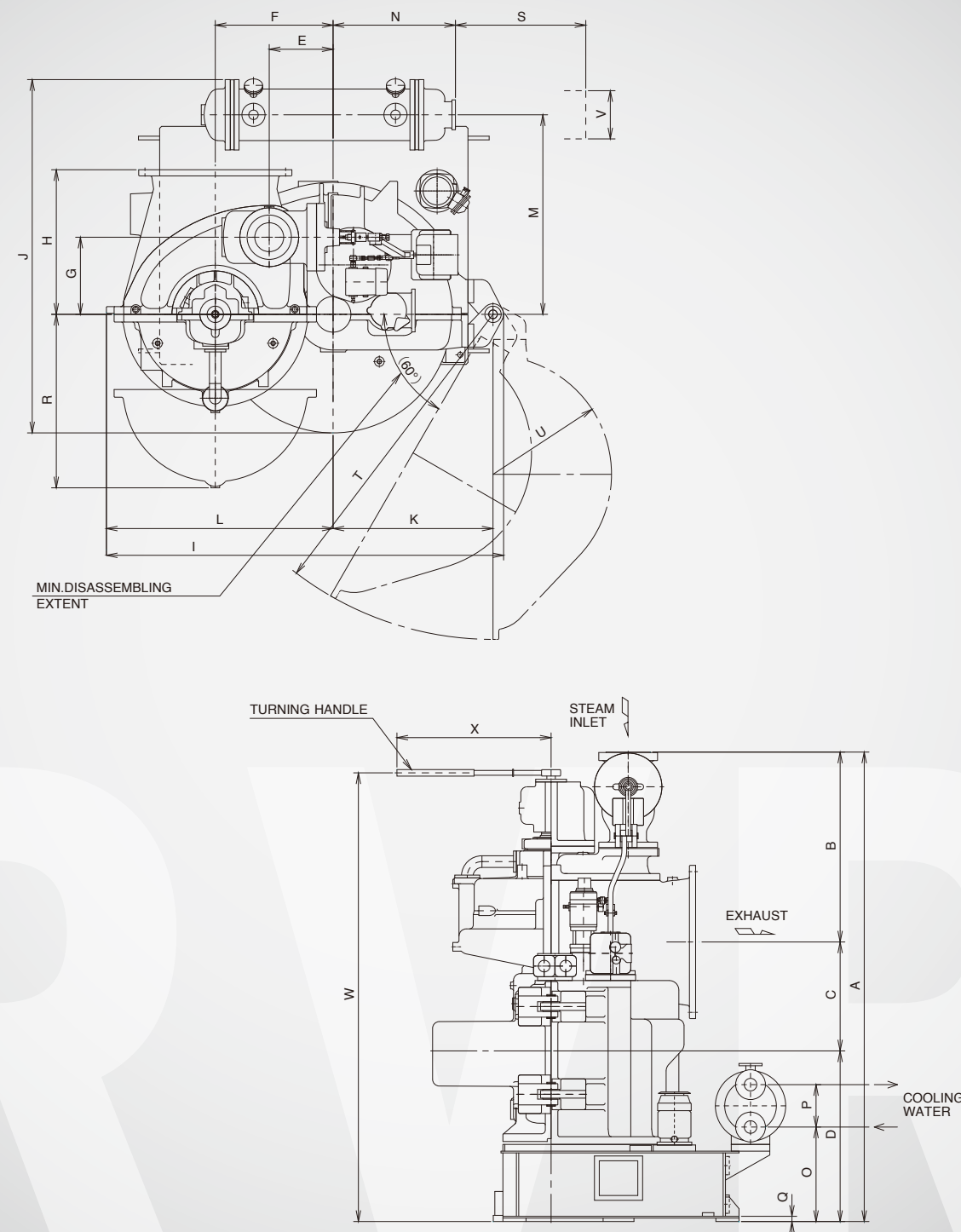
RX



Dimensions : mm

Model	A	B	C	D	E	F	H	J	K	L	M	N	P	Q	R	S	T	U	V	W	X ₁	X ₂	Y	Z ₁	Z ₂
RX 0	1714	1500	280	455	405	360	600	107	830	1240	1207	382	680	676	425	190	32	1200	350	200	R1110	R385	530	650	200
RX 1	1890	1750	395	505	450	400	830	189	850	1580	1405	460	800	950	465	190	32	1200	385	200	R1338	R455	600	950	200
RX 2-2	1949	1780	405	495	480	400	830	255	970	1760	1527	532	850	1025	465	190	32	1200	360	200	R1540	R527	630	1150	200

RVR



Dimensions : mm

Model	A	B	C	D	E	F	G	H	I	J	K	L	M	N	O	P	Q	R	S	T	U	V	W	X
RVR 1	2420	920	620	880	233	513	400	650	1710	1527	680	988	880	630	465	190	14	810	1150	R1460	R510	200	2330	800
RVR 2-2	2435	985	565	885	331	611	400	750	2060	1833	830	1176	1035	635	490	220	27	900	850	R1690	R615	250	2330	800