

# KV

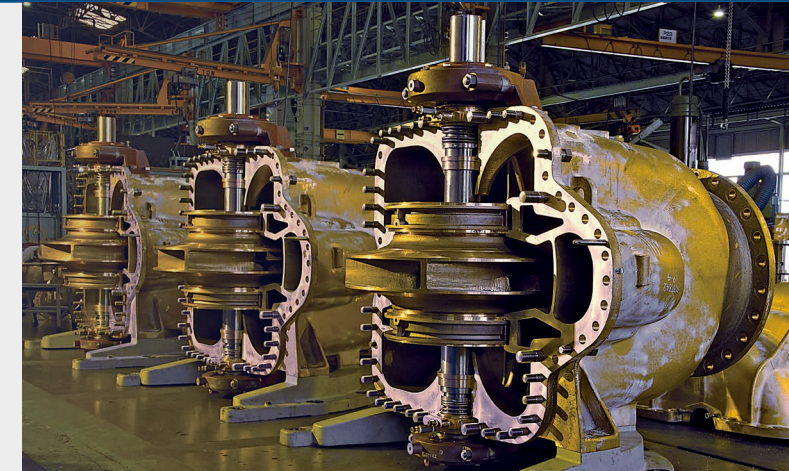
Shinko centrifugal pumps have been designed and manufactured as cargo oil unloading pumps for oil tankers. And, on the basis of our many years of experience and service, consideration has been given to the following points in our design.



# KV CARGO OIL PUMPS

## GENERAL CHARACTERISTICS

- 1 High efficiency
- 2 High performance under various suction conditions
- 3 Materials suitable for crude oil and product oil
- 4 Construction for minimizing vibration
- 5 Rigidity against external force

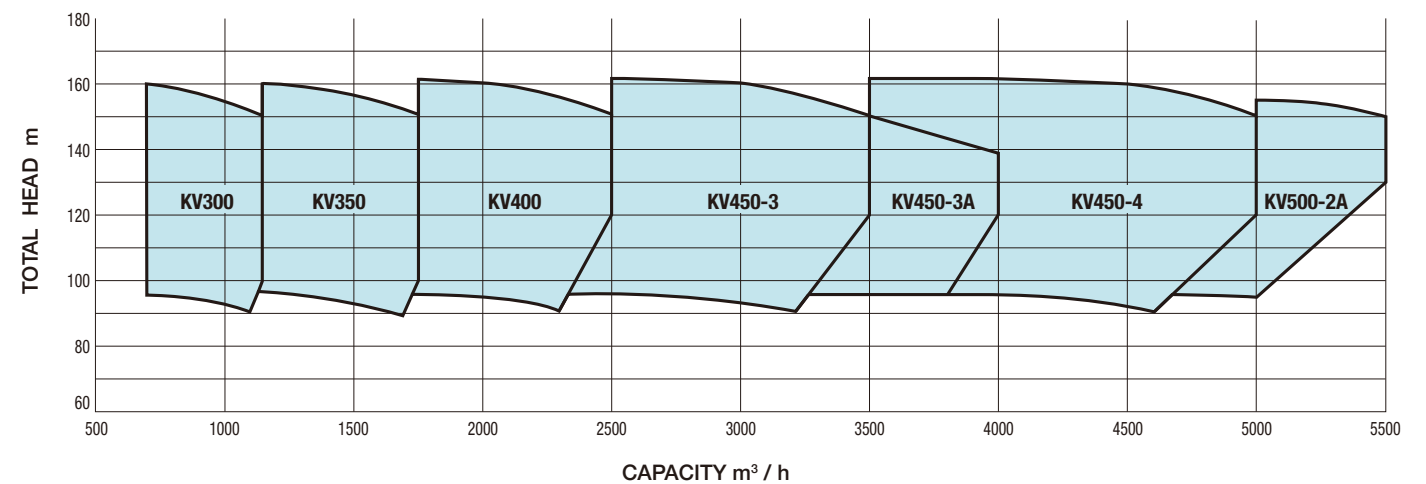


## SPECIFICATION

The vertical KV models are single-stage double suction cargo oil pumps. And, we have the following 7 standard models classified by capacity:

Item	Model	KV 300	KV 350	KV 400	KV 450-3	KV 450-3A	KV 450-4	KV 500-2A
Normal capacity	(m <sup>3</sup> /h)	1000	1500	2000 2500	3000 3500	3500 4000	4000 4500 5000	5500
Normal speed at total head 150m	(min <sup>-1</sup> )	1900	1910	1620 1650	1410 1450	1300 1300	1180 1190 1200	1200
Rotation		Counter-clockwise when viewed from coupling side						
Suction bore	(mm)	350	400	450	600	600	600	700
Discharge bore	(mm)	300	350	400	450	450	450	500
Weight (kg)	Pump (bronze casing)	1030	1300	1400	2400	2400	3000	3650
	Inter. shaft 2m, floating shaft 2m and bearing support	590	590	700	1050	1050	1300	1300
	Water in casing	200	300	450	850	850	1100	1600

## PERFORMANCE CHART



# CVL BALLAST PUMPS

## GENERAL CHARACTERISTICS

- 1 High efficiency
- 2 High performance under various suction conditions
- 3 Line bearings of special carbon are utilized in the lower side bearings to insure there is no leakage.

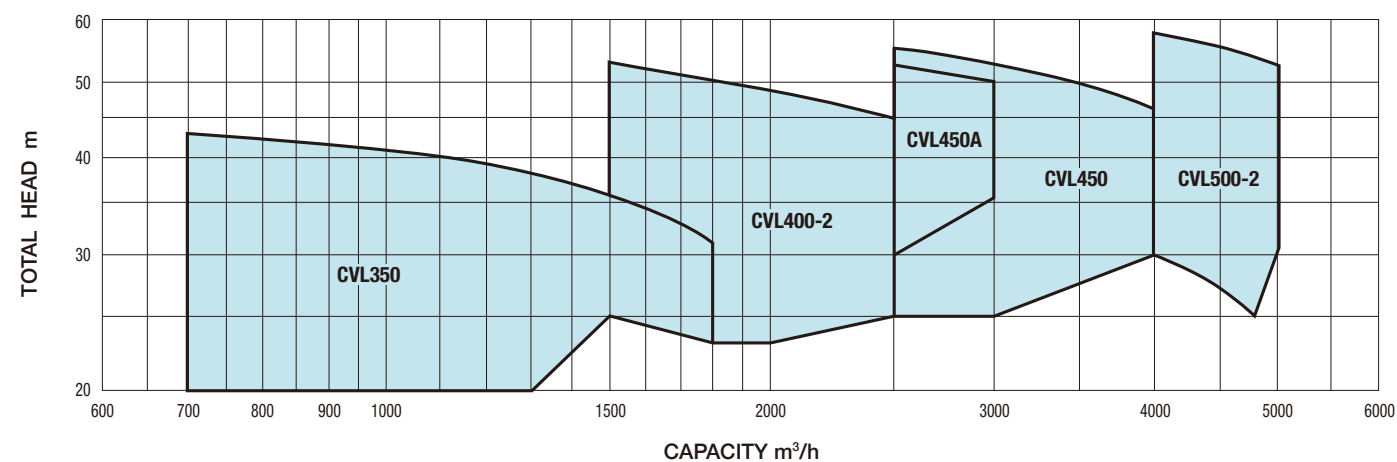


## SPECIFICATION

The vertical CVL models are single-stage, double suction ballast pumps with a line bearing. We have the following 5 standard models classified by capacity.

Item	Model	CVL 350	CVL 400-2	CVL 450A	CVL 450	CVL 500-2
Normal capacity		1000	2000	3000	3500	4500
	(m <sup>3</sup> /h)	1500	2500	3000	4000	5000
Normal speed	(min <sup>-1</sup> )	1200	1200	1200	1200	900 / 1050
Rotation		Counter-clockwise when viewed from coupling side				
Suction bore	(mm)	400	500	600	600	700
Discharge bore	(mm)	350	400	450	450	500
Weight (kg)	Pump (bronze casing)	800	1230	1600	2000	2600
	Inter. shaft 2m, floating shaft 2m and bearing support	530	590	640	640	980
	Water in casing	300	500	700	1400	2000

## PERFORMANCE CHART



## DEFINITION LIST

### KV

Dimensions : mm

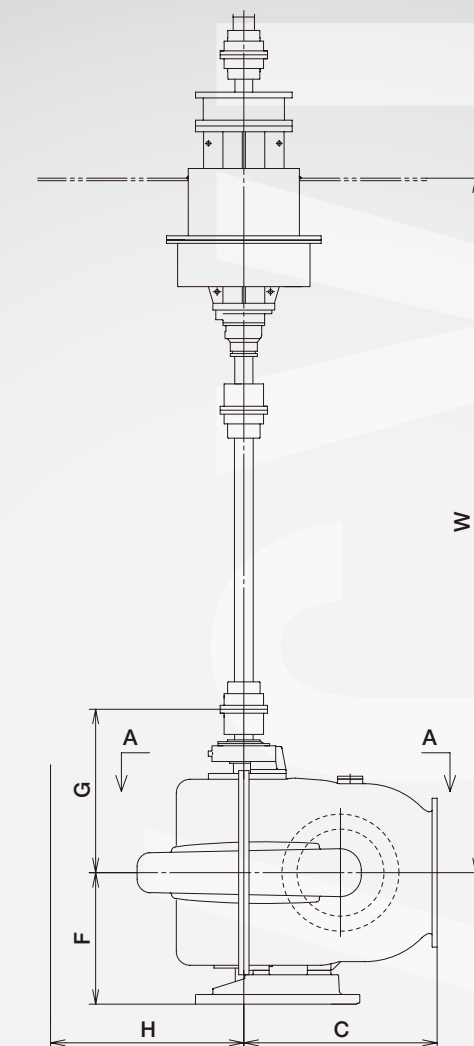
Model	KV 300	KV 350	KV 400	KV 450-3 KV 450-3A	KV 450-4	KV 500-2A
Bore	Suc.	350	400	450	600	700
	Disch.	300	350	400	450	500
B	350	400	500	600	650	650
C	700	800	850	1000	1100	1200
E	400	450	450	600	600	700
F	500	570	550	640	700	760
G	580	650	720	850	920	970
P	420	420	465	610	660	755
Q	450	450	500	650	700	800
R	360	360	390	530	580	680
S	150	150	200	300	320	400
T	230	230	255	340	370	430
U	120	120	170	250	275	335
V	80	80	80	90	95	95
Z	35	35	35	42	42	48
H min.	700	750	840	1080	1180	1310
W	min.	2550	2620	2710	3350	3570
	max.	3730	3800	4320	4950	5470

### CVL

Dimensions : mm

Model	CVL 350	CVL 400-2	CVL 450A	CVL 450	CVL 500-2	
Bore	Suc.	400	500	600	600	700
	Disch.	350	400	450	450	500
B	350	420	480	500	550	
C	700	860	920	1000	1150	
E	460	500	550	600	800	
F	645	660	610	680	750	
G	650	700	720	775	960	
P	420	465	560	560	660	
Q	450	500	600	600	700	
R	360	390	480	480	580	
S	150	200	250	250	320	
T	230	255	310	310	370	
U	120	170	200	200	275	
V	80	80	105	105	95	
Z	35	35	36	36	42	
H min.	650	800	900	1000	1100	
W	min.	2620	2670	3240	3265	3460
	max.	4300	4350	4700	4725	5260

### KV/CVL



FOR REMOVAL OF VOLUTE COVER

