

APPLICATIONS

Lubricating oil pumps

GENERAL CHARACTERISTICS

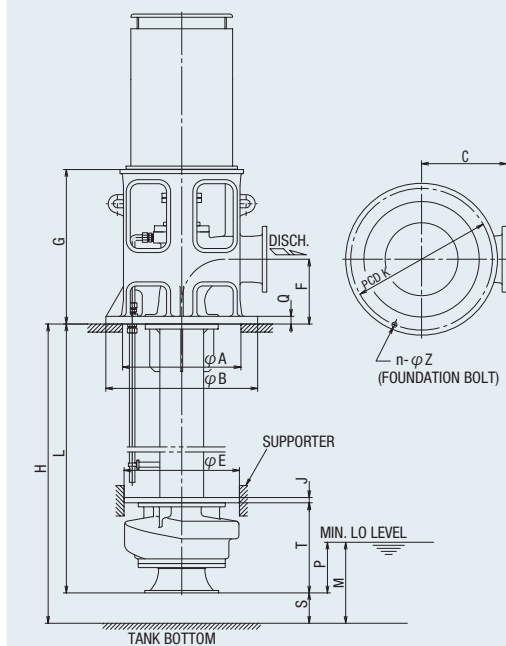
Item	Model	SA 150	SA 150-2	SA 200	SA 200-2	SA 250	SA 250-2	SA 300	SA 300H	SA 300-2	SA 350	SA 350H	SA 350-2	SA 400	SA 400-2
Rotation		Clockwise when viewed from the driver													
Number of stages		1	2	1	2	1	2	1	1	2	1	1	2	1	2
Discharge bore (mm)		150		200		250		300		350		400			
Max.output (kW)		37	75	75	90	110	150	150	200	315	250	280	400	450	450
Lubrication		Self-lubrication by handling oil													
Required min. LO leve (mm)		330		350		430		500		570		700			
Stuffing box seal		Oil seal													
weight:FC (kg)		510 (40)	580 (40)	770 (50)	900 (50)	1070 (63)	1230 (63)	1170 (80)	1220 (80)	1350 (80)	1530 (108)	1590 (108)	1730 (108)	1650 (120)	2100 (120)

Weight refers to L=2m, and increases as shown in bracket with 1m increases in L

- SAD : A single shaft without an intermediate bearing
- SAE : Two shafts with sleeve couplings
- SAF : A single shaft with an intermediate bearing
- SAG : Two shafts with sleeve couplings and an intermediate bearing

In order to standardize the length (L), the dimension (S) is adjusted to the range shown in the table below depending on the tank height (H).

Model	H (reference)	S	L (reference)	P	M (S + P)
SA 150 (-2)	2080~2180	80~180	2000	250	330~430
SA 200 (-2)	2100~2200	100~200		250	350~450
SA 250 (-2)	2120~2220	120~220		310	430~530
SA 300 (-2)	2140~2240	140~240		360	500~600
SA 300H	2140~2240	140~240		360	500~600
SA 350 (-2)	2170~2270	170~270		400	570~670
SA 350H	2120~2270	170~270		400	570~670
SA 400 (-2)	2220~2320	220~320		480	700~800


SA 150-400-2


Dimensions:mm

Model	A	B	C	E	F	G	J	K	Q	T	Z	n
SA 150 (-2)	480	640	330	470	200	578	25	590	30	375	25	8
SA 200 (-2)	585	750	380	570	320	764	25	700	32	445	25	8
SA 250 (-2)	650	850	430	620	320	790	25	790	35	407	25	12
SA 300 (-2)	680	870	450	650	320	840	26	820	35	422	25	12
SA 300H	690	870	450	680	320	840	26	820	35	422	25	12
SA 350 (-2)	730	940	480	700	350	955	30	880	35	580	25	12
SA 350H	740	940	480	730	350	955	30	880	35	580	25	12
SA 400 (-2)	720	940	500	700	370	1040	30	880	35	680	25	12

PERFORMANCE CHART

 Handling lube oil with a viscosity of 100 cSt and a specific gravity of 0.9 at 40°C
 Capacity guarantee : 25.8 cSt
 Power guarantee : 260 cSt
