

APPLICATIONS

Fire and general service pumps

Bilge and ballast pumps

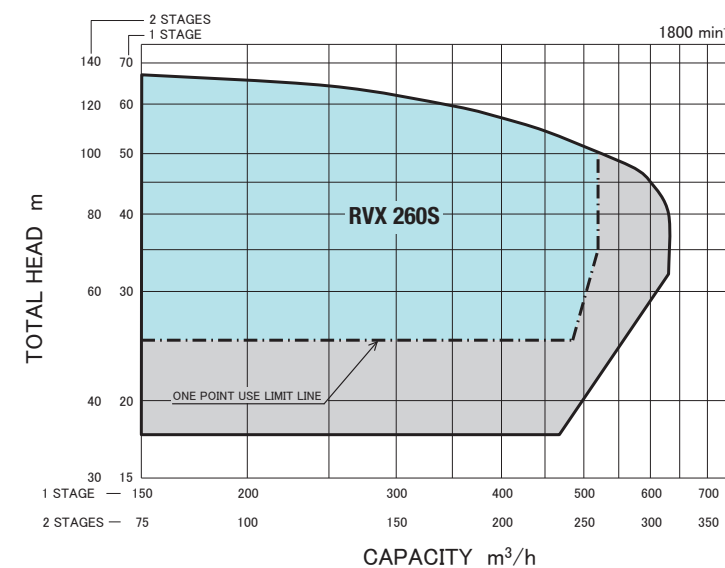
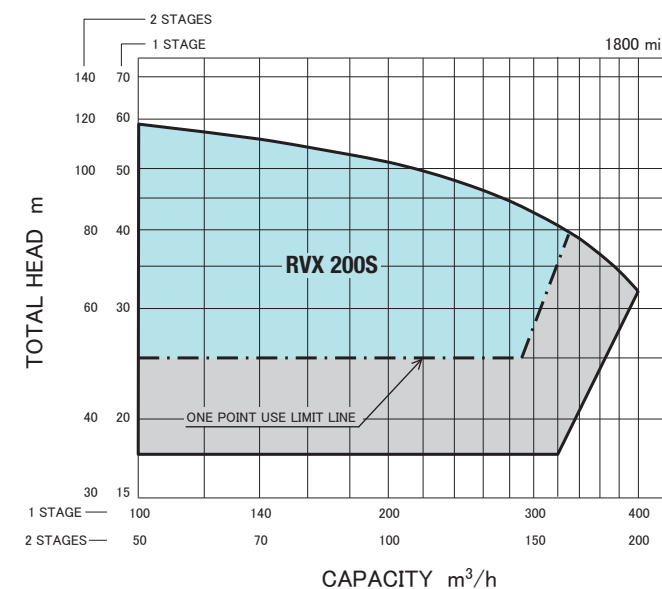
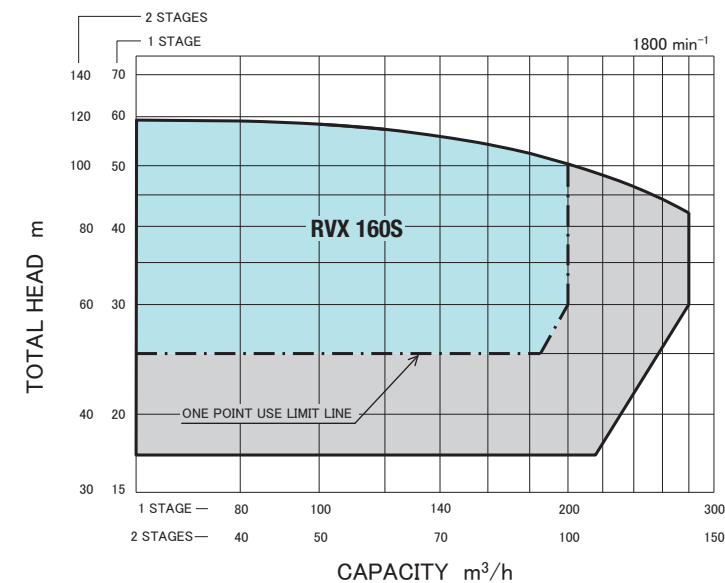
Other use

GENERAL CHARACTERISTICS

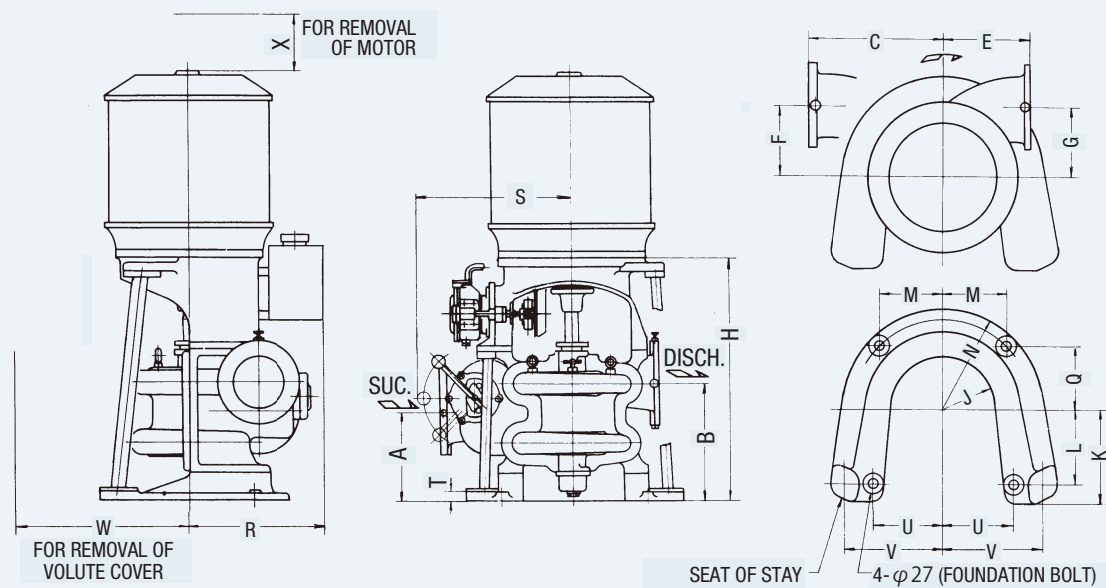
Item	Model	RVX 160S	RVX 200S	RVX 260S
Rotation		Clockwise when viewed from the driver		
Suction bore	(mm)	150	200	250
Discharge bore	(mm)	150	200	250
Stuffing box seal		Gland packing or Mechanical seal		
Max.output	(kW)	55	55	132
weight:CAC	(kg)	700	730	885
Water filled in casing	(kg)	45	66	105



PERFORMANCE CHARTS



RVX 160S~260S



Dimensions:mm

Model	A	B	C	E	F	G	H	J	K	L	M	N	Q	R	S	T	U	V	W	X	Mecha. seal
RVX 160S	310	425	565	390	260	250	859	225	300	245	240	365	240	450	630	50	305	380	500	170	50
RVX 200S	310	425	565	390	260	250	859	225	300	245	240	365	240	450	630	50	305	380	500	170	50
RVX 260S	360	500	610	400	310	280	993	225	300	245	240	365	240	493	675	50	305	380	500	210	60