

CVF.CVN



SHINKO IND. LTD.

Vertical single-stage double-suction CONDENSER CIRCULATING PUMPS

CVF.CVN Vertical single-stage double-suction
CONDENSER CIRCULATING PUMPS

APPLICATIONS

Main condenser circulating pumps

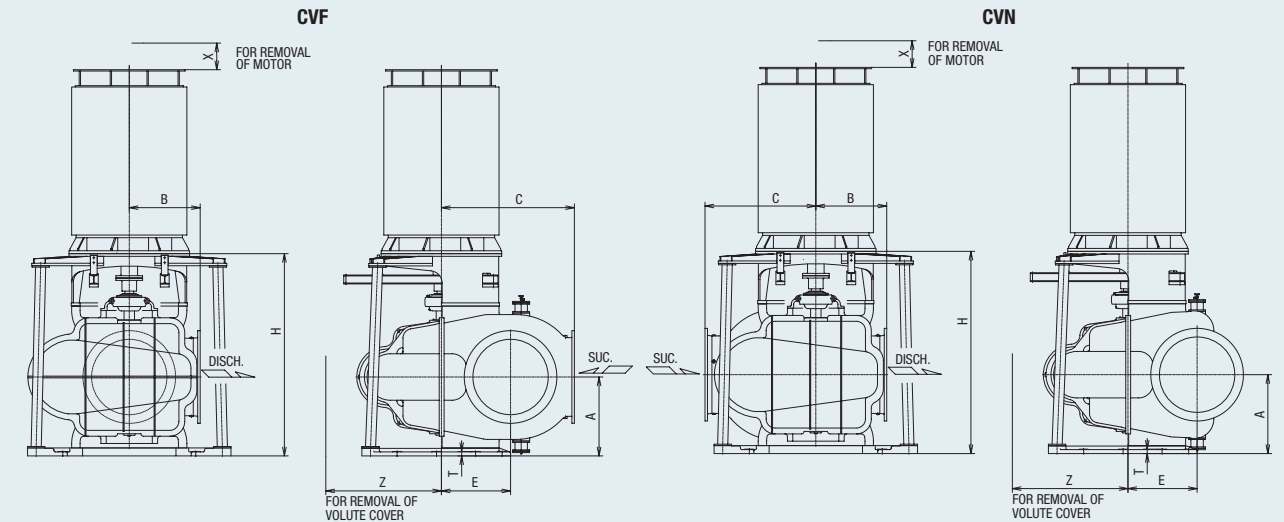
T/G condenser circulating pumps



GENERAL CHARACTERISTICS

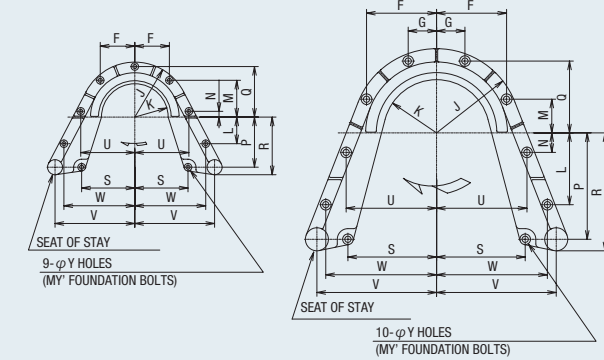
Item	Model	CVF 600	CVN 600	CVF 700	CVN 700	CVF 850	CVN 850	CVF 1000	CVN 1000
Rotation		Clockwise when viewed from the driver							
Suction bore	(mm)	600		700		850		1000	
Discharge bore	(mm)	600		700		850		1000	
Flow direction		90°	180°	90°	180°	90°	180°	90°	180°
Stuffing box seal		Gland packing or Mechanical seal							
Max.output	(kW)	110		150		250		355	
weight:CAC	(kg)	2930	2830	3830	3730	5200	5150	8500	8500
Water filled in casing	(kg)	920	870	1210	1165	1695	1620	3300	3300

CVF.CVN 600~1000



CVF
CVN 600, 700

CVF
CVN 850, 1000



Dimensions:mm

Model	Bore		A	B	C	E	F	G	H	J	K	L	M	N	P	Q	R	S	T	U	V	W	X	Y	Y'	Z	Mecha. seal
	suc.	disc.																									
CVF CVN 600	600	600	615	800	1100 960	580	390	—	1751	620	376	300	415	65	565	570	650	600	50	610	900	800	240	46	42	1400	100
CVF CVN 700	700	700	690	800	1250 1000	650	390	—	1930	620	376	300	415	65	565	570	650	600	50	610	900	800	240	46	42	1400	110
CVF CVN 850	850	850	890	800	1500 1250	780	610	235	2281	780	515	500	385	55	800	685	900	750	50	800	1050	975	300	52	48	1800	120
CVF CVN 1000	1000	1000	1100	950 1050	1850 1550	950	790	320	2631	950	600	810	380	220	1200	810	1330	1000	80	1020	1350	1250	300	70	64	2500	130

PERFORMANCE CHARTS

