

# AHJ

**SHINKO IND. LTD.**  
Horizontal single-stage single-suction self-priming  
**FW & SANITARY PUMPS**

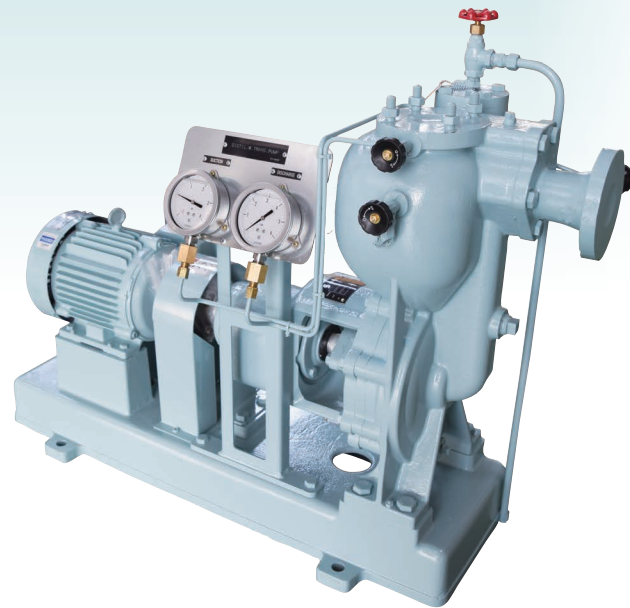
**AHJ** | Horizontal single-stage single-suction self-priming  
FW & SANITARY PUMPS

## APPLICATIONS

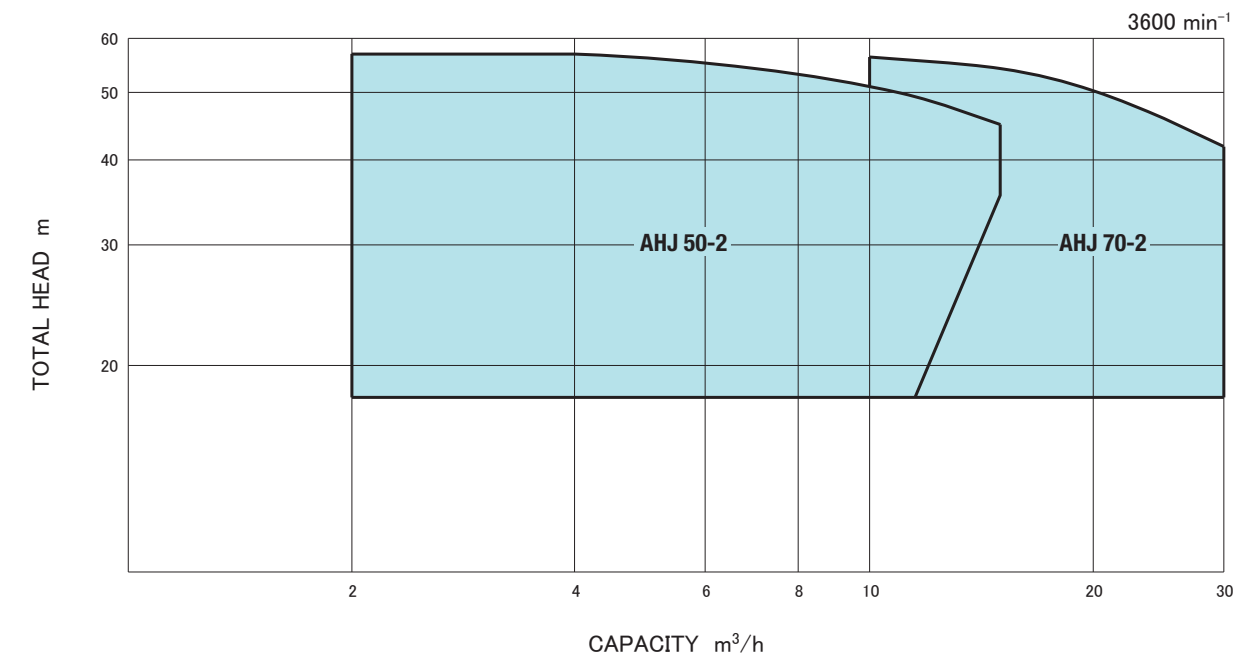
- Fresh water pumps
- Sanitary pumps
- Other use

## GENERAL CHARACTERISTICS

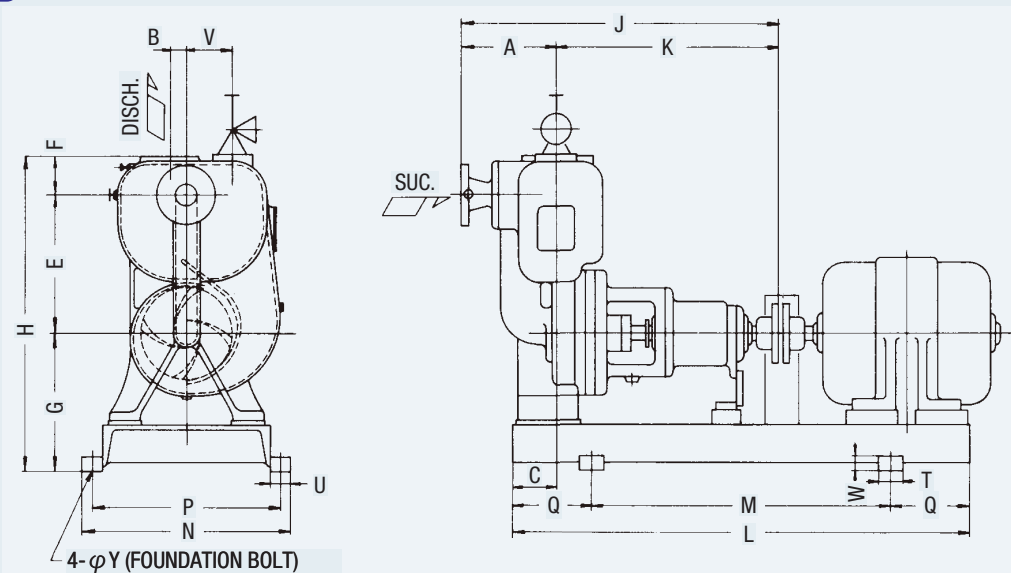
Item	Model	AHJ 50-2	AHJ 70-2
Rotation		Clockwise when viewed from the driver	
Suction bore	(mm)	50	65
Discharge bore	(mm)	50	65
Stuffing box seal		Gland packing or Mechanical seal	
Max.output	(kW)	5.5	7.5
weight:CAC	(kg)	130	210
weight:FC	(kg)	115	180
Water filled in casing	(kg)	7	12



## PERFORMANCE CHART



## AHJ 50-2~70-2



Dimensions:mm

Model	A	B	C	E	F	G	H	J	K	L	M	N	P	Q	T	U	V	W	Y	Mecha. seal
AHJ 50-2	205	40	105	280	80	285	645	585	380	850	550	330	295	150	60	40	90	20	19	30
AHJ 70-2	240	50	110	280	85	280	645	695	455	1000	700	400	360	150	75	50	110	20	23	35