

Vertical single-stage single-suction CONDENSATE PUMPS



■ APPLICATIONS

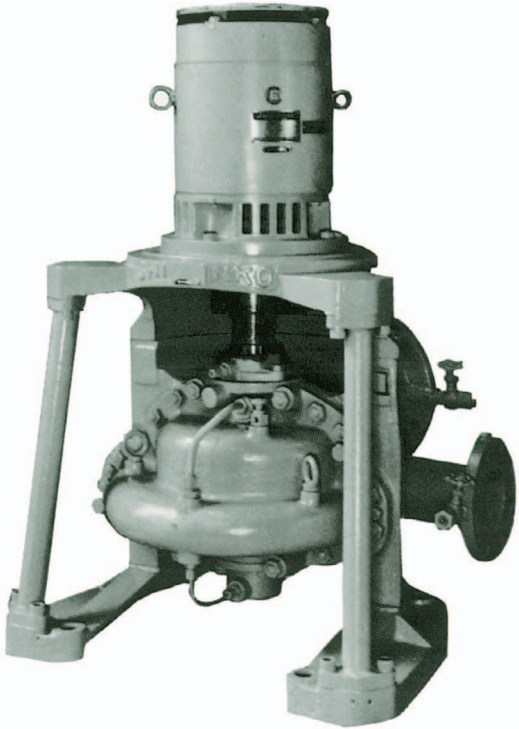
- Condensate pumps
- Drain transfer pumps
- Other general use

■ SPECIFICATIONS

- Total head 18 to 45m
- Temperatures Below 100°C

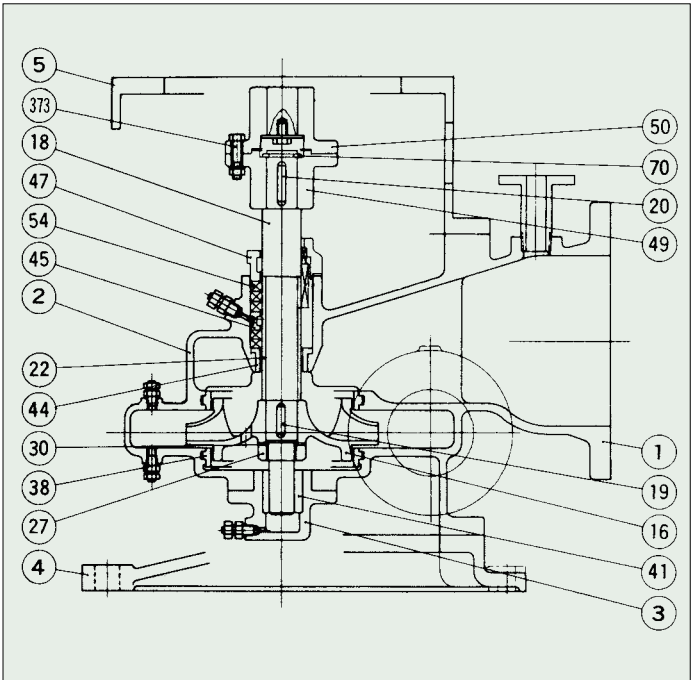
■ GENERAL CHARACTERISTICS

Item	Model	RVE 70	RVE 100	RVE 130
Rotation		Clockwise when viewed from the driver		
Suction bore	(mm)	125	200	250
Discharge bore	(mm)	65	100	125
Balance pipe	(mm)	25		
Stuffing box seal		Gland packing or mechanical seal		
Weight (except motor)	(kg)	175	288	358

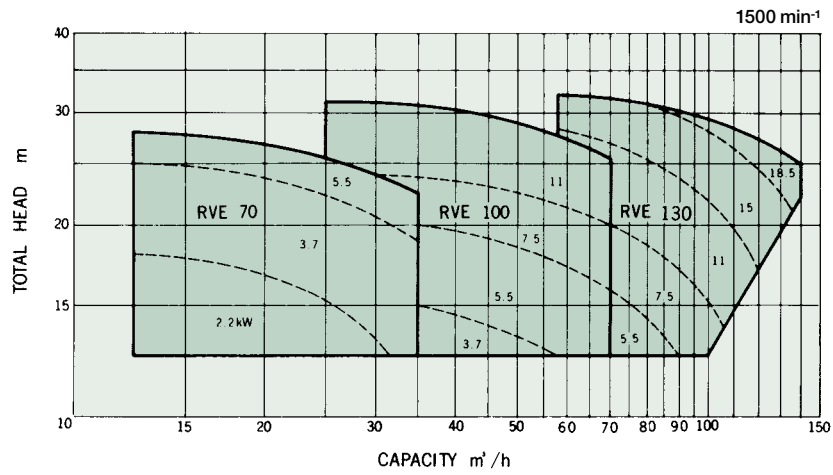


■ DESIGN & STANDARD MATERIALS

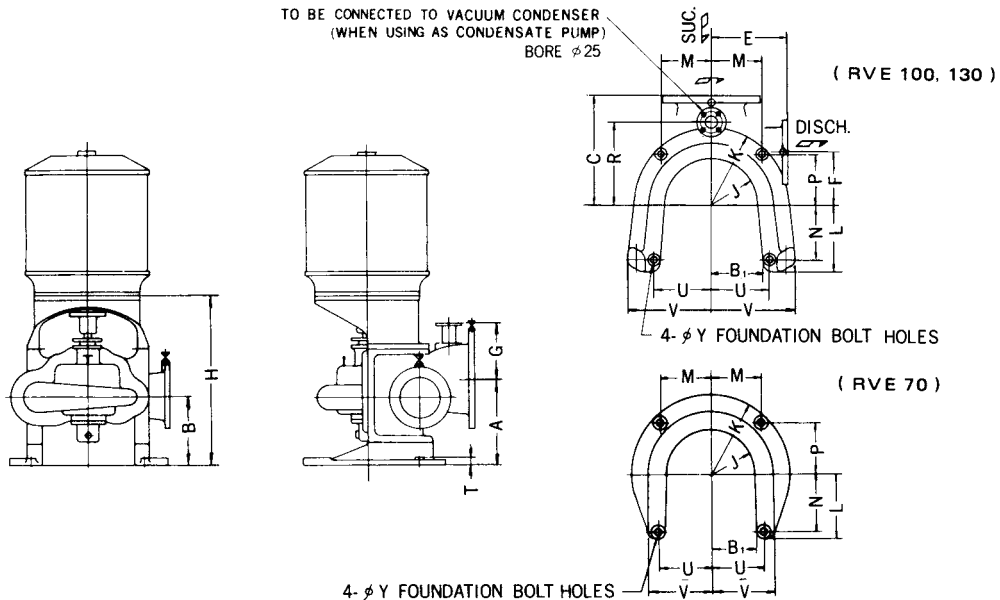
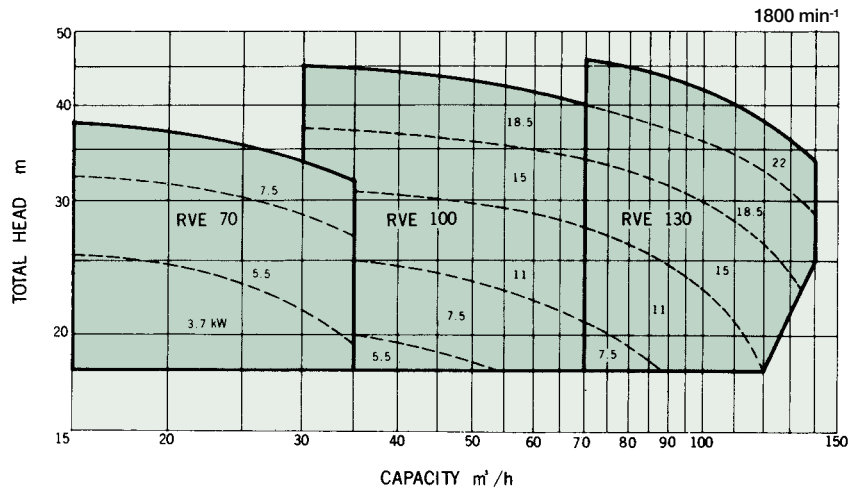
PART NO.	NAME OF PART	MATERIAL		REQ. NO. FOR 1 PUMP
		NAME	JIS	
1	VOLUTE CASING	CAST IRON	FC200	1
2	VOLUTE COVER	〃	〃	1
3	VOLUTE END COVER	〃	〃	1
4	PUMP BED	〃	〃	1
5	MOTOR BED	〃	〃	1
16	IMPELLER	PHOSPHOR BRONZE	CAC502A	1
18	IMPELLER SHAFT	STAINLESS STEEL	SUS403	1
22	SLEEVE	〃	〃	1
27	IMPELLER NUT	〃	〃	1
30	WASHER	COPPER	CuP	1
38	MOUTH RING	BRONZE	CAC403	2
41	LINE BEARING	CARBON		1
44	NECK BUSH	BRONZE	CAC406	1
45	SEALING RING	SYNTHETIC RESIN		1
47	GLAND	BRONZE	CAC406	1
49, 50	COUPLING	DUCTILE CAST IRON	FCD400	2
54	GLAND PACKING	CARBONIZED FIBER		1 SET
70	SNAP RING	CARBON TOOL STEEL	SK5	1
373	COUPLING BOLT & NUT	STEEL	SS400	1 SET



50Hz



60Hz



Model	A	B	C	E	F	G	H	J	K	L	M	N	P	R	T	U	V	Y	B ₁
RVE 70	285	190	330	250	170	185	564	155	270	225	170	200	170	265	50	180	201	23	159
RVE 100	360	230	380	330	200	250	693	190	310	260	200	225	200	300	50	210	335	27	184
RVE 130	360	230	380	330	200	250	693	190	310	260	200	225	200	300	50	210	335	27	184

SHINKO IND.LTD.